

Adjustable Bench



Smooth lifting mechanism

High Pressure Laminate top

Strong and solid structure

The Adjustable Bench is a working surface ideal for different productive environments such as offices, schools or laboratories. Even when loaded, this surprisingly strong and solid bench, can easily be adjusted from seated to standing height. The top can be tilted in twelve different pre-set inclinations until reaching the full vertical position. The bench can also be used as a white board and be stacked or stored in a space saving way.



12 top inclinations



Easy to stack and store

OLLY
Furniture

Ollly Furniture Manufacturing Co. Ltd.

中山市欧奕家具有限公司

Huanmao third road, Shanchau Village, Torch Development Zone,

Zhongshan City, Guangdong, China 528437

Tel: +86 - (0) 760-89873666 Fax: +86- (0) 760-85339998

www.ollyfurniture.com

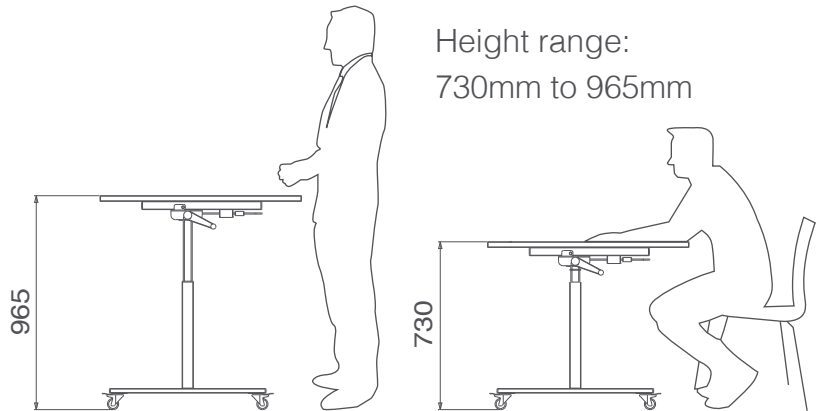


Adjustable Bench

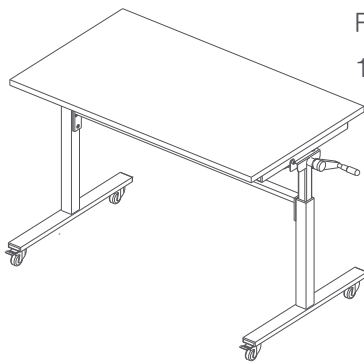


Health is performance

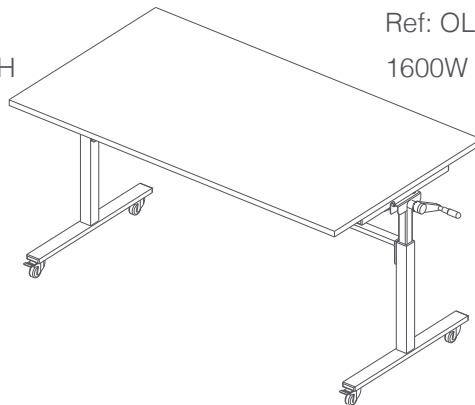
Height-adjustable surfaces play a significant role in today's changing working environment. Studies confirm that you can increase users comfort and reduce postural fatigue by allowing them to sit or stand throughout the day. This helps people to be more productive and efficient at work.



Sizes and references



Ref: OLAB12
1200W x 700D x 730-965H



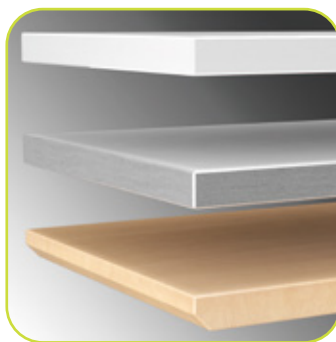
Ref: OLAB12
1600W x 900D x 730-965H

Exploit its full potential!

We work with a broad selection of materials, finishes, components and accessories to customize your product according to your needs.



HPL white board
or melamine surface



Edging
(ABS, Aluminum, Beveled)



Accessories